

## OFFICERS

- Bruce Brumm KCØZMT  
President
- Mark Campbell WØGZR  
Vice-President
- Kirk Nelson WL7CLI  
Secretary
- Bill Claypool NUØQ  
Treasurer

## BOARD

- Mark Globushutz KØMJG
- Scott Kirstein NØOOD
- Ron Overholser KDØTTO
- Tom Reis NØVPR
- Kevin Sanders KØKDS
- Mike Waldron AEØMW

## IN THIS ISSUE

- ARES 3
- 7
- Calendar 4
- President's Soapbox 4
- Testing & Nets 5
- Easy Digi 9-10
- ChiliFeed / Auction Photos 13
- Membership Application 14

## Dean Madsen, NØXR receives 2014 Winthrop Mager Award

Dean is "Mr. Field Day". For many years we have watched him pull up to the site and unload what seems to be a semi load of antennas, coax, computers, controllers, and radios from his Astro van. With his calm leadership the Field Day team erects several towers and antennas. During the event he provides the computers, software and expertise so that we track our success. At the end we help him take everything down, while he assesses the boobos we've made and decides what it will take to get them fixed for the coming year. One word comes to mind at this point "tolerance"! Then in the months between Field Days he finds, orders, and installs the repair parts.



Dean, NØXR is presented with the 2014 Winthrop Mager Award by 2013 Recipient Scott Kirstein, NØOOD.

Dean was also instrumental in helping Polk County ARES provide several demonstration stations for use during the Boy Scout council's 100 Year Encampment at Waterworks Park. Hundreds of scouts were introduced to Amateur Radio and dozens got to talk to many DX stations including the USS Lexington. The weather was lousy but scouts had a great time.

Dean also is the man behind the curtain with regards to the DMRAA WØAK packet system. Some of this he manages from home while other parts are at Lutheran Hospital. While packet is not used as much as in the past Dean keeps it very functional. Outside of Amateur Radio Dean is very involved with gun sports, an accomplished marksman and judge he often assists with local and regional competitions. Extra Class operator Dean Madsen is truly deserving of the 2014 Winthrop Mager Award.

## Chili Feed / Auction Draws a Large Crowd

The 2014 version of the ChiliFeed Auction is now a pleasant memory. It was great to see the room packed at the church. The chili was plentiful, and we saw a nice selection of gently used equipment. These events really are about fellowship in the Amateur Radio community and the Chili Feed is no exception. Special thanks to Ron, KDØTTO for organizing the event this year. and also the board members that provided the chili: Scott, NØOOD, Ron, KDØTTO, Mark, WØGZR and Tom NØVPR. (See photos on page 15)



WØAK-2 146.985  
Now in-service at  
Veteran's Hospital  
See page 14 for more info



Come enjoy the fellowship

DMRAA meetings are the 4th Tuesday of the month. Be sure and mark your calendars!



# Upcoming Meetings

**DMRAA Regular Meeting**  
**January 27th 7:00 PM**  
**Plymouth Congregational Church**  
**42nd & Ingersoll**  
**Waveland Hall**

**February Meeting**  
**February 24th, 7:00 PM**  
**Recital Hall (3rd floor)**  
**National Weather Service Spotter Training**  
**Plymouth Congregational Church**  
**42nd & Ingersoll**

**ARRL Section Manger Election**

In January, ARRL members in Iowa will have the opportunity to vote for Section Manger for the Iowa Section. There are two candidates running. Our current Section Manager, Bob McCaffrey, KØCY and the DMRAA's own, Scott Kirstein NØOOD. Please keep an eye out for your Official Ballot in your mailbox the first of the year – and please take the opportunity to vote.



## Future Meetings

Tom, NØVPR is looking for meeting ideas and presenters. Please feel free to make suggestions and offer to help with a presentation.

## You can Help?



Are you interested in helping the club? There are many ways you can help — assisting with an event, taking a few pictures or even writing a piece for this newsletter.



## Winthrop Mager Award Winners

### DMRAA Christmas Party

On December 2nd a large group of DMRAA members and friends gathered for the DMRAA Christmas Party. Dean, NØXR was presented with the coveted Winthrop Mager Award.. Dennis KAØDOS and wife Sandy prepared the ham and decorated the room. Lowell, KB6SDI provided a slide show with pictures both old and new. Thanks to all who helped make this evening special.





Giving back through community service

Scott Kirstien  
NØOOD  
Polk County ARES EC  
515 490-7414 (cell)  
[n0ood@arrl.net](mailto:n0ood@arrl.net)

Polk County ARES Meetings  
Polk County EOC at  
1907 Carpenter Avenue  
Des Moines, IA



# Polk County ARES



Thank You! As I write this, 2014 is in the books. Our last event was the Living History Farms Race, and – as promised – the weather was appreciably better than it was for the 2013 event.

Our first event of 2015 is the American Lung Association's Fight For Air Climb on Sunday, March 22. As I mentioned at the Christmas Party, they have added an additional building for this year, so I

expect to need more operators than the 32 we had in 2014. This is potentially going to be our largest public service event. It's not too early to get signed up, shoot me an email, and I'll get you on the list.

As we take this time to recharge our batteries – and our batteries – I hope you get the opportunity to relax, and spend time with friends and family during this holiday season.

Again, thank you for all you did to help out with Polk County ARES in 2014. I appreciate your help – as do our served agencies! I also look forward to working with you again in 2015.  
Thanks for reading,

Scott, NØOOD  
Emergency Coordinator  
Polk County Amateur Radio Services  
[n0ood@arrl.net](mailto:n0ood@arrl.net)  
(515) 490-7414 (cell)

### Event Highlight

## Fight for Air Climb Sunday March 22, 2015

Fight for Air Climbs are unique fundraising events for the American Lung Association. They are typically held in prominent buildings, stadiums or arenas and involve climbing multiple steps. The climb is often referred to as a "vertical road race." Participating in the Fight for Air Climb allows you to help others while accomplishing your own life goals. You're not just training for a climb, you're training for an end to lung disease. Our participants help improve the lives patients across the country and locally, here in Iowa.

#### EMC INSURANCE COMPANIES

- » 15 total floors
- » 371 stairs

#### HUB TOWER

- » 18 total floors
- » 364 stairs

#### RUAN CENTER

- » 32 total floors
- » 637 stairs

#### DOWNTOWN DES MOINES MARRIOTT

- » 28 total floors
- » 429 stairs

### ARES MEETING DATES 2015

- Monday, January 12 7:00pm
- Monday, April 13 7:00pm
- Monday, July 20 7:00pm
- Monday, October 12 7:00pm

### 2015 ARES Events

- Fight for Air Climb  
Sunday March 22, 2015
- Market to Market  
Saturday May 9th, 2015
- Dam to Dam  
Saturday May 30th, 2015

## ARES Reflective Vests

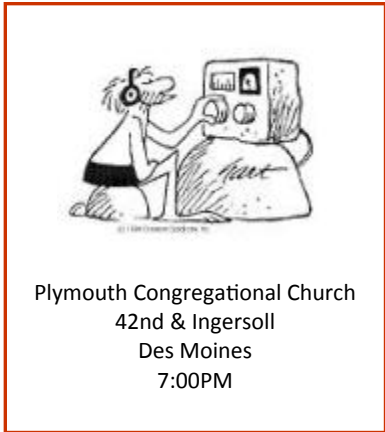
Polk County ARES now has several Class 3 Level 2 Safety Vests available for purchase. These are better quality surveyor type vests with sleeves and several pockets in sizes M thru 3XL. They have the words "RADIO COMMUNICATIONS" on the back.

Cost is \$20.

Contact Tom, NØVPR  
[n0vpr@arrl.net](mailto:n0vpr@arrl.net)



# 2014 DMRAA Calendar



## Calendar 2014-15

### General Meetings and Events

- 27 January, 2015
- 24 February, 2015
- 24 March, 2015
- 18 April 2015 HAMFEST**
- 28 April, 2015
- 26 May, 2015
- 23 June, 2015
- 27 June 2015 Field Day**
- 28 July, 2015
- 25 August, 2015
- 22 September, 2015
- 27 October, 2015
- 24 November, 2015 ChiliFeed**

### Board Meeting Dates

- 6 January, 2015
- 3 February, 2015
- 3 March, 2015
- 7 April, 2015
- 5 May, 2015
- 2 June, 2015
- 7 July, 2015
- 4 August, 2015
- 1 September, 2015
- 6 October, 2015
- 3 November, 2015



You now have the option of paying for up to 3 years when renewing your membership in the DMRAA.  
**1 Year = \$20**  
**2 Years = \$40**  
**3 Years = \$60**

See Bill Claypool NØUQ for details.

## President's Soapbox

This space left intentionally (mostly) blank.

I'll repeat an important message I wrote last year:  
 In this season of generosity and plenty,  
 please do not fail to help others who may  
 be in distress or need.

All the best to you and yours,  
 Bruce Brumm, KCOZMT  
 DMRAA President

“CQ  
 Planet  
 Mars, DE  
 W6XRL  
 4 Planet  
 Earth”

Herman Munster  
 W6ZRL4



**Bruce Brumm**  
**KCØZMT**



Have you checked into a net lately? →

ARES Nets serve several purposes

- Operator training
- Training of Net control operators
- Passing formal traffic

Please check in!

## Area Nets

### AMES

Sunday	147.240+	7:00pm	Story County ARES Net
Wednesday	147.375+ t 114.8	9:00pm	Cyclone Amateur Radio Club

### BOONE

Sunday	146.850-	8:00pm	Boone County ARES Net
--------	----------	--------	-----------------------

### DES MOINES

Sunday	145.390- t 114.8	7:00pm	Saylorville Fellowship Net
Sunday	29.670- t 103.5	7:30pm	Iowa Ten Meter Net
Sunday	146.610- t 114.8	8:00pm	Central Iowa ARES Net
Sunday	146.940- t 114.8	follows ARES net	Central Iowa Technical Net
Wednesday	53.250-	8:30 p.m.	Iowa 6 Meter Net 1.7mhz-
Thursday	146.940- t 114.8	7:00pm	Polk County ARES Net
Saturday	146.940- t 114.8	7:30pm	DMRAA Information Net

### INDIANOLA

Saturday	146.640- t 114.8	7:30am	Warren County ARES Net
----------	------------------	--------	------------------------

### PERRY

Monday	145.190- t 114.8	8:00pm	Dallas County ARES Net
Monday	145.190- t 114.8	follows ARES net	HARC Net

### WEBSTER CITY

Monday	147.015+	7:00pm	Hamilton County Radio Club Net
--------	----------	--------	--------------------------------

### STATEWIDE NETS

Monday—Saturday	3,970	12:30pm & 5:30pm (6:00pm summer)	Iowa 75 Meter Traffic Net
Sunday	3,970	5:30pm (6:00pm summer)	Iowa Traffic and Emergency Net

## Amateur Radio

### Des Moines 1:00pm

Sunday, January 18, 2015  
 Sunday, March 15, 2015  
 Sunday, May 17, 2015  
 Sunday, July 19, 2015  
 Sunday, September 20, 2015  
 Sunday, November 15, 2015  
 Registration starts at 12:30 PM (no admittance after 1pm)  
 Location: Johnstone Supply Classroom (2nd floor)  
 11000 Justin Drive  
 Urbandale, IA 50322  
 Contact: Rick Allen NØCFL (515) 795-2162



### Ames

February 7th (Saturday) 10:00 AM  
 March 5th (Thursday) 7:00 PM  
 April 18th (Saturday) 10:00 AM

Location: 1246 Howe Hall, Iowa State campus

Contact:  
 George Oster, NP2N  
 515-233-3535



## Testing Sessions

### Boone 9:00am

February 14, 2015  
 April 11, 2015  
 June 13, 2015  
 August 8, 2015  
 October 10, 2015  
 December 12, 2015

Location: Conference room behind the cafeteria at the Boone County Hospital, 1015 Union St, Boone, Iowa  
 Contact: Steve NØNEU (515) 432-4006



Time to find a new home for your extra gear?

This Buy, Sell & Trade page may be your answer. This service is offered to DMRAA members.

Contact [info@DMRAA.com](mailto:info@DMRAA.com)



## Time to Eat?

## Buy / Sell



Looking for something? We'd be happy to help you by listing your wanted items here



Hello Hello. Can anybody hear my radio?  
W6XRL4



**Answer:** This is the antenna for the Harris Unity radio recently installed in the ARES trailer. VHF, UHF, 700MHz, 800MHz, digital and trunked!

## Are you checking the website?

Keep up to date with local amateur radio news. The DMRAA club website is a great resource.

[Go to dmraa.org](http://dmraa.org)



Hungry and looking to meet local hams? On Fridays at the City Buffet on University (next to Toys R Us) a group of hams meet for lunch. This is an informal meeting and provides an excellent opportunity

to pass information while enjoying a nice selection of Chinese cuisine. The group (around 20) usually arrives around 11:45 and breaks up at about 1:00. All are welcome, including family members.

**Caution!** Considerable amount of amateur radio topics will be discussed.





There are several Polk  
County ARES events  
upcoming.  
Contact  
Scott, N0OOD  
[n0ood@arrl.net](mailto:n0ood@arrl.net)  
to volunteer

# SKYWARN Appreciation Day

Fun, Food and Friendship set the tone for another great event. This annual event hosted by the National Weather Service offices all across the county continues to be a highlight. Locally the Johnston National Weather Service office was place to be Friday evening and all day Saturday. Visitors were treated to tours of the facility as well as treats and of course the opportunity to operate amateur radio using the KØDMX call sign. Our thanks to Shane Searcy, NØZXJ and the entire Weather Service Staff.



## Ham Radio Basics - Technician Level License

Join the world of amateur radio and study with licensed Ham Radio instructors. You as an operator will learn the use of amateur radio equipment for enjoyment, experimentation and public service. Members of the Des Moines Radio Amateurs Association (DMRAA) will guide you through the requirements for obtaining the entry level Technician Class License. Official "Level 1 - Ham Radio License Manual" is required. Copies will be available at the first class for \$ 25.00. Ages 11+

Available through Des Moines Public School Community Education.  
Classes will be held at Merrill Middle School  
Classes will be begin Thursday, March 26 and run 10 sessions with testing on May 28.



## DMRAA Information Net

After a decades-long absence the DMRAA has resumed a net. It's a combination of club announcements and rag-chew chat. While it is a DMRAA net, it is open to everyone, member or not.

We use the WØAK club repeater, 146.940. Join us Saturday evenings at 7:30 p.m. We open with check-ins, then move to club announcements, then the rag chew begins. You may share your amateur radio activities, ask for assistance on a project, or list buy and sell items. Please join us on the net.

## An Eyeball QSO With an Astronaut Ham

Mark Campbell WØGZR

Kevin Shannon, KDØKDT & I are regular volunteers during IPTV's fundraising campaigns. Our job is to answer the phone from callers within the IPTV coverage area which includes all of Iowa and portions of surrounding states, then fill out forms from contributors.

December 3<sup>rd</sup> found us again at IPTV where shows featured Victor Borge, a program on wild birds and a show about astronaut Neil Armstrong. To help with the space theme, astronaut Clayton Anderson was on camera helping Terry Shell ask for contributions.

At the end of the evening Kevin and I approached Anderson. He was gracious enough to answer our questions. Anderson served on the International Space Station and indeed is a ham operator, KD5PLA. But he used the space station call of NA1SS. Anderson said he enjoyed working classrooms and talking with school children. He said when those sessions ended the fun really began. Hams would call in for rapid-fire QSOs and they would exchange calls. "That was great," Anderson said.

In the parking lot as we were leaving, I asked if the view from space is as exciting as folks say it is. "Check out my website: [astroclay.com](http://astroclay.com). And see for yourself," Anderson said.

Anderson calls Ashland, Nebraska, home but he earned his MS degree in Aerospace Engineering from Iowa State University in 1983.





## Build Easy Digi!

By Larry KAØFTO

\$12.00 bought you the circuit board and all of the parts. Some of you built these at a prior DMRAA meeting. It would be difficult to find the parts for that price. I purchased the two transformers locally for another project, and cost over \$8.00. You provide 1/8" plugs for the Sound Card and a DB9 for connection to the Serial Port on your PC. If you do not have a Serial Port on your PC you can purchase an RS232 to USB converter via the Internet. You solder the parts, then connect the various cables, and you can now run many of the Digital modes including Slow Scan TV.

The parts provided are-

- Three Diodes.
- Three resistors.
- Two Capacitors.
- Two 1:1 Transformers.
- One Optic Isolator.
- 1 Circuit Board.
- 1 coil of Solder.
- 1 instruction sheet.

It took less than 1 hour to solder the parts and about 4 hours to solder the connecting cables and another hour to punch holes for the grommets and feed the cables through. Make sure you clean the solder side of the board first as the solder may not melt as fast or complete.

You can purchase units that are already built from various vendors on the Internet. Some units do not contain parts for the PTT using the Serial Connector via the Optic Isolator.

Tools you will need are various wire strippers, third hand helper to hold the board, and a very small tipped soldering iron 25-45 Watts for working on the printed circuit board. Do not try a tip larger than 1/8 inch as it is too easy to melt the copper foil on the board with a bigger iron.

Does it work? Yes but all of a sudden my Sound Card Jack on my old PC started giving me trouble. The 1/8" plugs for the Sound Card I always use 3 conductor plugs but wire just two. The tip on the 3 conductor plug is slightly smaller than a 2 conductor plug. I want to think this wears the socket less?

Now of course I will attach photos of my progress.

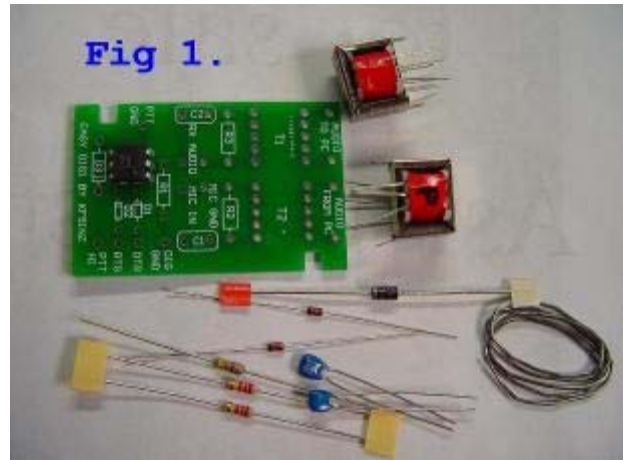


Fig 1. Shows all of the parts and my unit had the 4N25 Optic Isolator already mounted. The P on the transformer was the primary that was the input but not sure would make a difference as they were 1:1 impedance transformers.

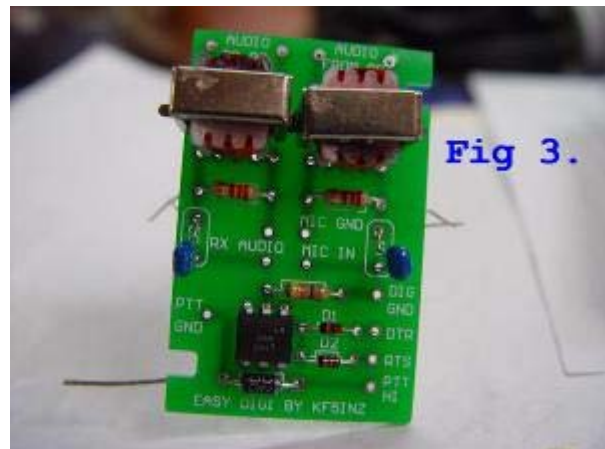


Fig 2. Note my transformers had tabs that had to be bent to allow mounting on the Circuit Board.



Fig 3 has all of the parts mounted and some soldered. Not all wires on the Transformers or 4N25 need solder. Fig 4 shows how I held the board to solder with one of the

# Build Easy Digi continued

Third Hand helper. The wires have been pulled through but not cut off yet.



Fig 5 shows my method of using a hole punch to make the holes in place of a drill.  
Fig 6 note the Hole Punch, Stripper, Side Cuts, Long Nose pliers and my small tip soldering iron close to a Double A battery for size comparison.

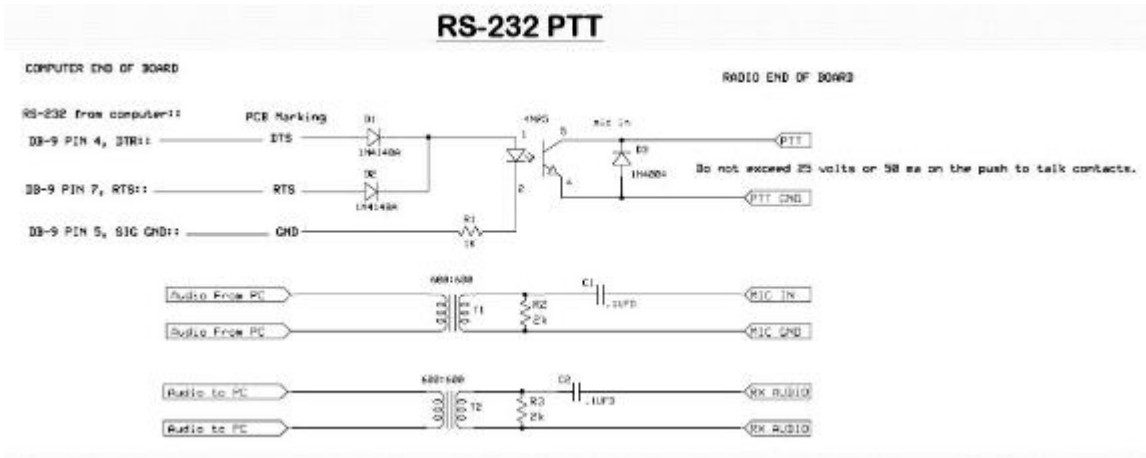


Fig 7 with the board and all of the cable formed through the grommets and note the bottom of the Altoids can insulated with vinyl tape plus double sided foam tape. If you used a plastic box you would not need this insulation.  
Fig 8 All buttoned up and ready to use.

YES IT WORKS AND DID NOT NEED TO CHANGE ANY CONFIGURATION FROM WHAT MY RIG BLASTER UNIT REQUIRES.  
YOU NEED TO ADJUST YOU TRANSMIT LEVEL TO ABOUT NO MORE THAN HALF POWER OUT. IF YOU OVERDRIVE YOUR TRANSMITTER YOUR SIGNAL WILL WIDEN OUT AND CAUSE QRM TO OTHERS. THIS IS ESPECIALLY TRUE ON PSK-31.



# Build Easy Digi continued



The circuit diagram is shown above with a label of RS-232 PTT as the 4N25 Optic Isolator is for the PTT circuit to key your transmitter. If you will use VOX this does not need to be connected. I have always used the PTT circuit as my PC in my Shack is old and has a Serial Port.

I used shielded cable on everything but the PTT to the Transmitter. I already had a short 3 conductor plus shield cable already made up with the 6 PIN MINI DIN plug on it. 6 PIN MINI DIN plugs must be ordered off the internet but make sure you purchase the type that have solder connections and not clamp on. I am sure it would be better to use all shielded cable. I also connected to my Transmitter via the 6 PIN MINI DIN connector. This will work on ICOM IC-703, IC-706, and IC-746. I think the same connection works for the Kenwood 480HX. You will need to refer to your Equipment Manual for proper connection via the 6 PIN MINI DIN connector.

## 2014 DMRAA Christmas Party Photos



# DMRAA returns 146.985 repeater to Des Moines

When the new WØAK Kenwood repeater was installed in January of this year, the DMRAA board decided to find an appropriate location and coordinate the club's 2nd repeater WØAK-2 back to Des Moines. The repeater had been loaned to WØISF in Truro.

The board favored a spot at the Des Moines Veterans Hospital and we were able to get permission to install the repeater and antenna at the VA.

The board also chose to utilize the old 94 repeater for this use and gave the repeater at Truro to WØISF. This will allow him to keep a repeater on the air in Truro once the frequency has been changed.

The Motorola GR-500 repeater, Sinclair duplexer and PA deck have been installed in a different cabinet and tested. The testing revealed the need to have the PA deck power supply factory refurbished.

The DMRAA hired Spring Valley Wireless to install the new DB-224E antenna at the VA. The repeater was installed December 9th and has been operating well. Discussion has been on going about possible uses for the new machine. The Dam to Dam run and the Head of the Des Moines Rowing Race come to mind.

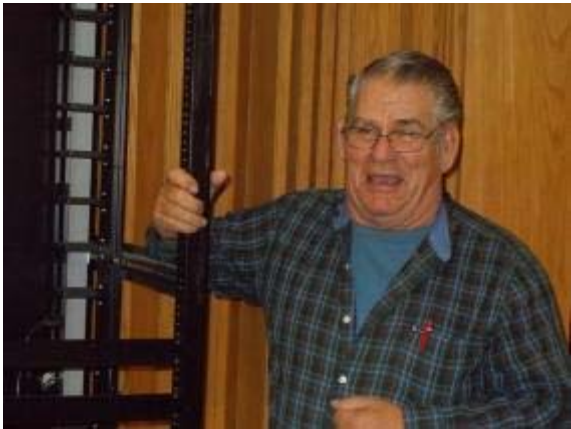
We encourage all hams to use the repeater frequently.

Thanks to Larry NØBKB, Les, WAØC Ray, WØRAY and Tom, NØVPR for their contributions to this project.

Give it a try! 146.985– Tone 114.8



# DMRAA ChiliFeed / Auction





Des Moines Radio Amateurs Assn.  
P.O. Box 88  
Des Moines, IA 50301  
DMRAA.org or DMRAA.com

E-mail: info@dmraa.com

Can you hear me now?

The Static sheet is bi-monthly (six per year) publication of the Des Moines Radio Amateurs Association. It is provided via email to the membership of the DMRAA. Please feel free to forward to prospective club members and interested Amateur Radio Operators.

The DMRAA is affiliated with the ARRL, The national association for Amateur Radio.



# DMRAA Membership Application

## Des Moines Radio Amateurs Association

Name: \_\_\_\_\_

Address: \_\_\_\_\_

City: \_\_\_\_\_, State: \_\_\_\_\_ Zip: \_\_\_\_\_

Phone Number: (\_\_\_\_) \_\_\_\_\_ Email: \_\_\_\_\_

Call Sign: \_\_\_\_\_ Class: (E) (A) (G) (T)

ARRL Member: ? Y / N

What are your primary interests in amateur radio? \_\_\_\_\_

What are you interested in learning about? \_\_\_\_\_

How would you like to volunteer with the club? \_\_\_\_\_

Dues \$20 Single  
\$60 3 Years

Mail Application and payment to  
**DMRAA**  
P.O. Box 88  
Des Moines, IA 50301

